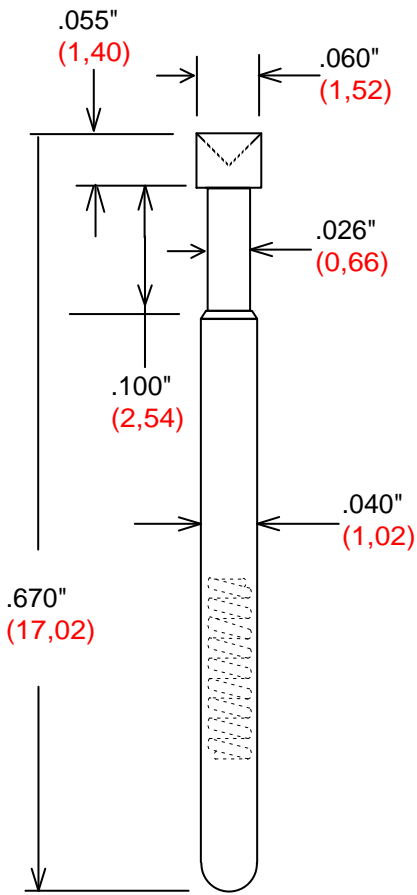
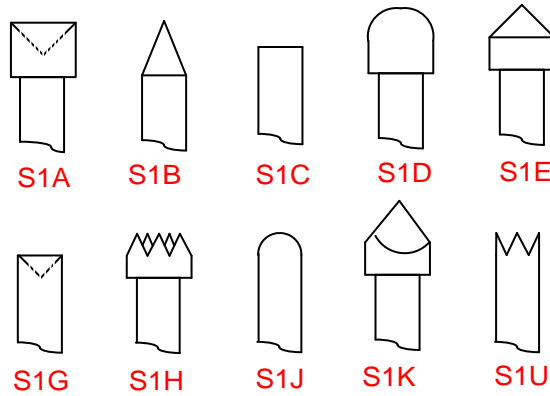


SERIES - S, SIZE - 1 SPRING LOADED TEST PROBES

.075" (1,91) CENTERS / .100" (2,54) STROKE



TIP STYLES



PROBE TECHNICAL DATA

Recommended Minimum Centers - .075" (1,91)
 Current Rating - 3 amps continuous
 Spring Force - (2.0) (3.8) or (6.6) oz. @ .070 (1,78) Travel
 Contact Resistance - Less then 25 milliohms
 Recommended Working Travel - .070 (1,78)

MATERIALS

Contact Barrel - Nickel / Silver, Gold Plated.
 Spring - Stainless Steel or Music Wire, Gold Plated.
 Plunger - Full-Hard Beryllium Copper, Gold Plated over Nickel.

How To Order: **SERIES** **SIZE** **TIP STYLE** **SPRING FORCE** **PLATING**
 Example **S** - **1** - **S1A** - **3.8** - **G**

RECEPTACLES

RECEPTACLE SIZE- 1 DATA

Style : Solder Cup
 Style : Wire Wrap .025" Sq. Post.
 Drill Size : 1.45 mm
 Mounting Hole Size : .055"/.057"

MATERIAL:

Nickel / Silver, Gold Plated.
 Wire Wrap Post Gold Plated.

