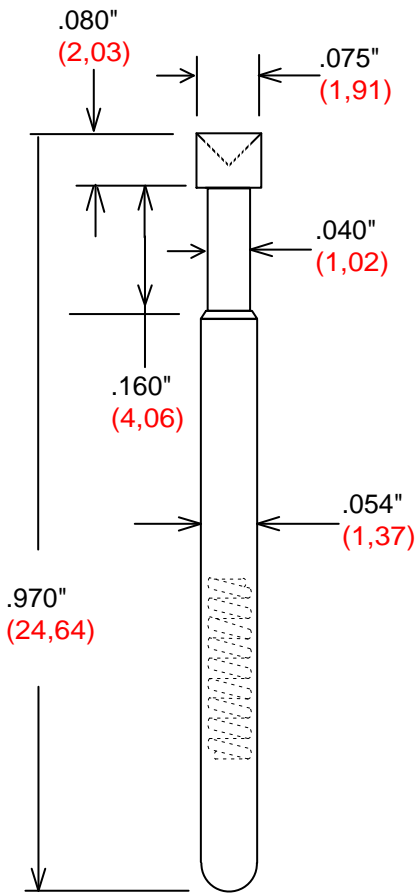
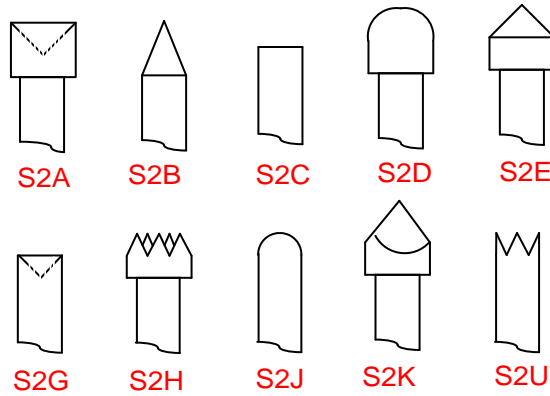


SERIES - S, SIZE - 2 SPRING LOADED TEST PROBES

.100" (2,54) CENTERS / .160" (4,06) STROKE



TIP STYLES



PROBE TECHNICAL DATA

Recommended Minimum Centers - .100" (2,54)
 Current Rating - 3 amps continuous
 Spring Force - (4.0) (7.0) (8.3) or (10.0) oz. @ .100 (2,54) Travel
 Contact Resistance - Less then 35 milliohms
 Recommended Working Travel - .100" (2,54)

MATERIALS

Contact Barrel - Nickel / Silver, Gold Plated.
 Spring - Music Wire, Gold Plated.
 Plunger - Full-Hard Beryllium Copper, Gold Plated over Nickel.

How To Order: **SERIES** **SIZE** **TIP STYLE** **SPRING FORCE** **PLATING**
 Example **S** **- 2** **- S2A** **- 4.0** **- G**

RECEPTACLES

RECEPTACLE SIZE- 2 DATA

Style : Solder Cup
 Style : Wire Wrap .025" Sq. Post.
 Drill Size : #50
 Mounting Hole Size : .068"/.070"

MATERIAL:

Nickel / Silver, Gold Plated.
 Wire Wrap Post Gold Plated.

