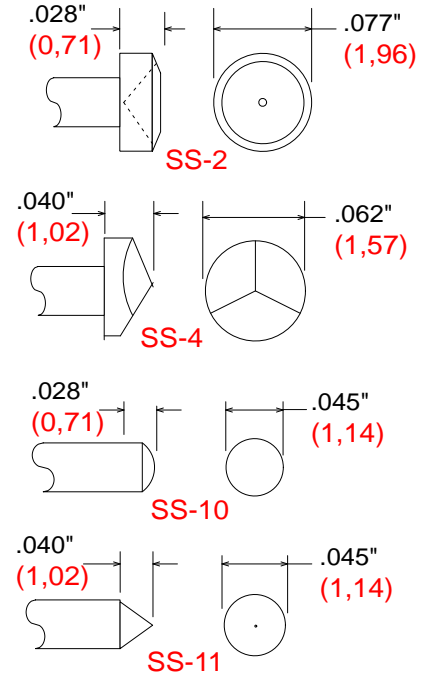
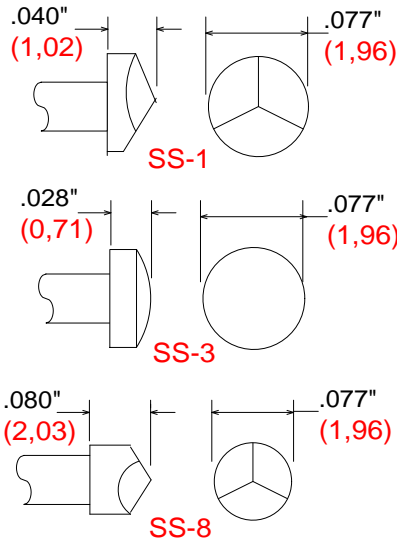
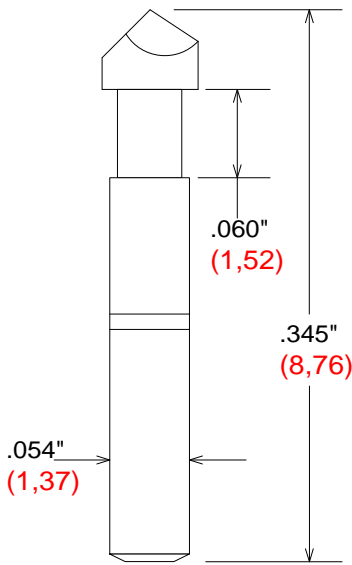


**SERIES -SS, SIZE - 100 SPRING LOADED TEST PROBES**  
**.100" (2,54) CENTERS / .050" (1,27) STROKE**

**HEAD STYLES**



How To Order: **SERIES**    **SIZE**    **TIP STYLE**    **SPRING FORCE**  
 Example            **SS**    - **100**    - **SS-1**    -    **3.8**

**PROBE TECHNICAL DATA**

Recommended Minimum Centers - .100" (2,54)  
 Current Rating - 3 amps continuous  
 Spring Force - (3.8) or (7.0) oz. @ .050" (1,27) Travel  
 Contact Resistance - Less then 65 milliohms  
 Recommended Working Travel - .050) (1,27)

**MATERIALS**

Contact Barrel - Nickel / Silver.  
 Spring - Stainless Steel or Music Wire  
 Plunger - Full-Hard Beryllium Copper,  
 Gold Plated over Nickel.

**RECEPTACLE SIZE- 100 DATA**

Style : Wire Wrap .025" Sq. Post.  
 Style : Preattached Wire 36" Long.  
 Drill Size : #50  
 Mounting Hole Size : .068"/.070"

**MATERIAL:**

Body Nickel / Silver,  
 Wire Wrap Post Gold Plated.

**WIRE WRAP RECEPTACLE**  
**P.N - RSS100WW**

