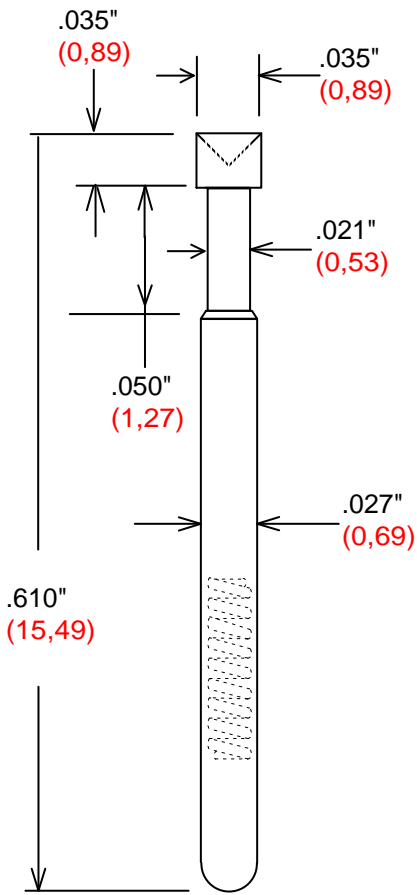
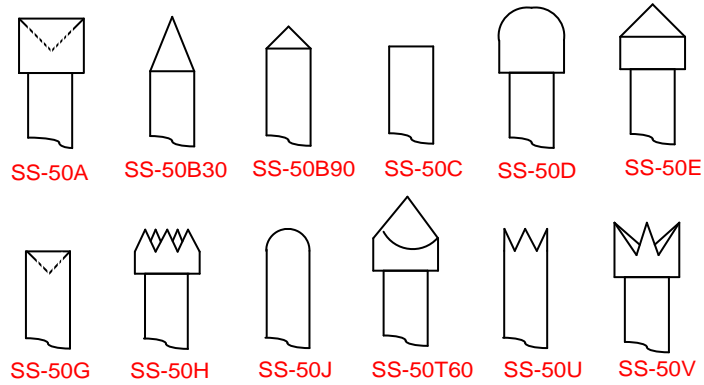


SERIES - SS SIZE - 50 SPRING LOADED TEST PROBES .050" (1,27) CENTERS / .050" (1,27) STROKE



TIP STYLES



PROBE TECHNICAL DATA

Recommended Minimum Centers - .050" (1,27)
 Current Rating - 3 amps continuous
 Spring Force - (2.9) (3.3) or (5.1) oz. @ .050 (1,27) Travel
 Contact Resistance - Less then 25 milliohms
 Recommended Working Travel - .050) (1,27)

MATERIALS

Contact Barrel - Nickel / Silver, Gold Plated.
 Spring - Beryllium Copper, Stainless Steel or Music Wire, Gold Plated.
 Plunger - Full-Hard Beryllium Copper, Gold Plated over Nickel.

How To Order: **SERIES** **SIZE** **TIP STYLE** **SPRING FORCE** **PLATING**
 Example **SS** - **50** - **SS-50A** - **2.9** - **G**

RECEPTACLES

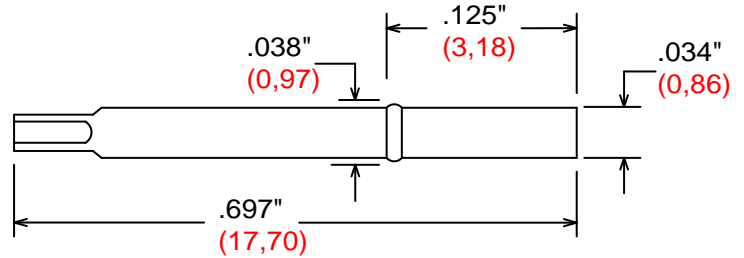
RECEPTACLE SIZE- SS-50 DATA

Style : Solder Cup
 Style : Wire Wrap .025" Sq. Post.
 Style : Preattached Wire 36" Long.
 Drill Size : #64
 Mounting Hole Size : .035"/.0365"

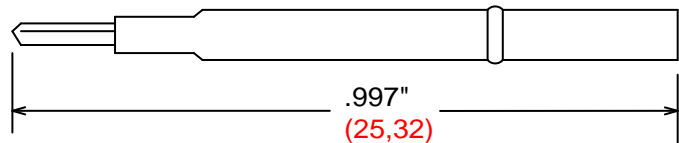
MATERIAL:

Nickel / Silver, Gold Plated.
 Wire Wrap Post Gold Plated.

SOLDER CUP
 P.N. RSS50SC



WIRE WRAP
 P.N. RSS50WW



PREATTACHED WIRE
 P.N. RSS50PW

