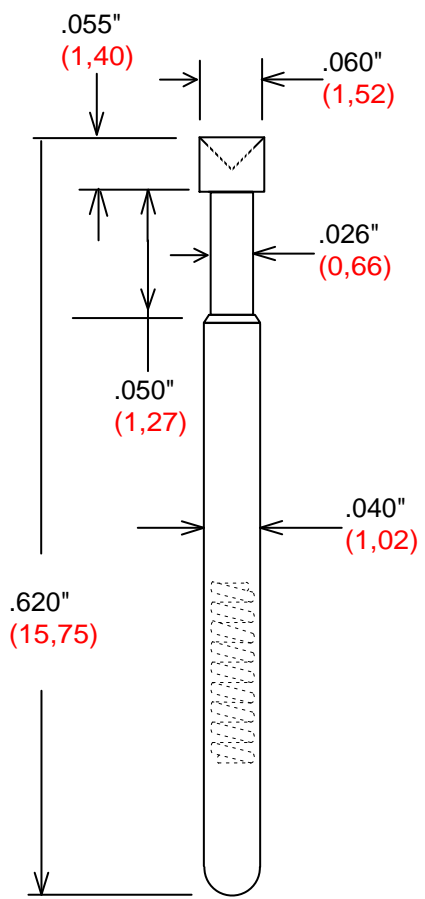
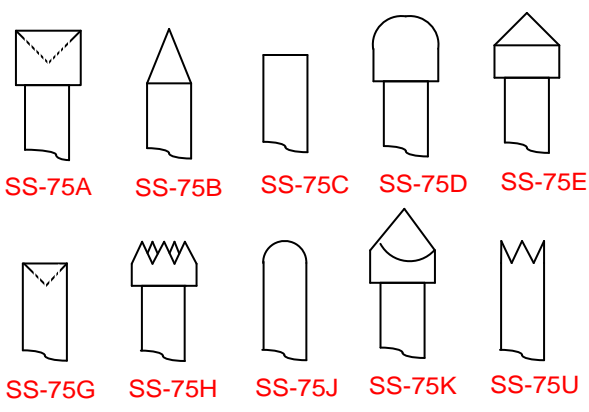


# SERIES - SS, SIZE -75 SPRING LOADED TEST PROBES .075" (1,91) CENTERS / .050" (1,27) STROKE



## TIP STYLES



### PROBE TECHNICAL DATA

Recommended Minimum Centers - .075" (1,91)  
 Current Rating - 3 amps continuous  
 Spring Force - (2.4) or (4.9) oz. @ .070 (1,78) Travel  
 Contact Resistance - Less then 25 milliohms  
 Recommended Working Travel - .050 (1,27)

### MATERIALS

Contact Barrel - Nickel / Silver, Gold Plated.  
 Spring - Stainless Steel Gold Plated.  
 Plunger - Full-Hard Beryllium Copper, Gold Plated over Nickel.

**How To Order:**    **SERIES**    **SIZE**    **TIP STYLE**    **SPRING FORCE**    **PLATING**  
 Example            **SS**    **- 75**    **- SS-75A**    **- 2.4**    **- G**

## RECEPTACLES

**RECEPTACLE SIZE- 75 DATA**  
 Style : Solder Cup  
 Style : Wire Wrap .025" Sq. Post.  
 Drill Size : 1.45 mm  
 Mounting Hole Size : .055"/.057"

**MATERIAL:**  
 Nickel / Silver, Gold Plated.  
 Wire Wrap Post Gold Plated.

