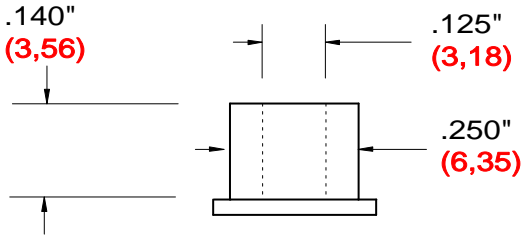
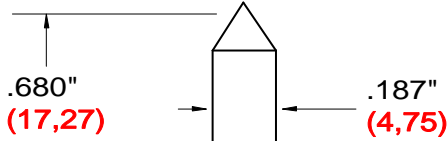


TOP AND BOTTOM ALIGNMENT ASSEMBLIES FOR DOUBLE SIDED TEST FIXTURES



TX-140-300/250 TBAB
TOP BOTTOM ALIGNMENT
BUSHING

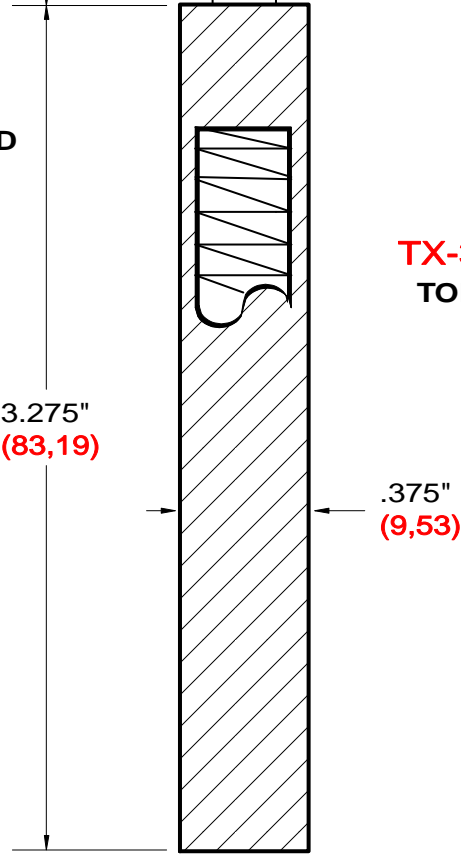


TX-3.275-187/375 TBAA
TOP BOTTOM ALIGNMENT
ASSEMBLY

MATERIAL:

- PIN - HARDENED DRILL ROD
- BUSHING - HARDENED DRILL ROD
- HOUSING - DELRIN
- SPRING - MUSIC WIRE
(SPRING STEEL)

SPRING PRESSURE - 8 Lbs.



TEST-X FIXTURE PRODUCTS

www.test-x.com

7117 Arlington Ave. Ste. G

Riverside, CA 92503

pH. 951-688-3067 Fax 951-688-1543