

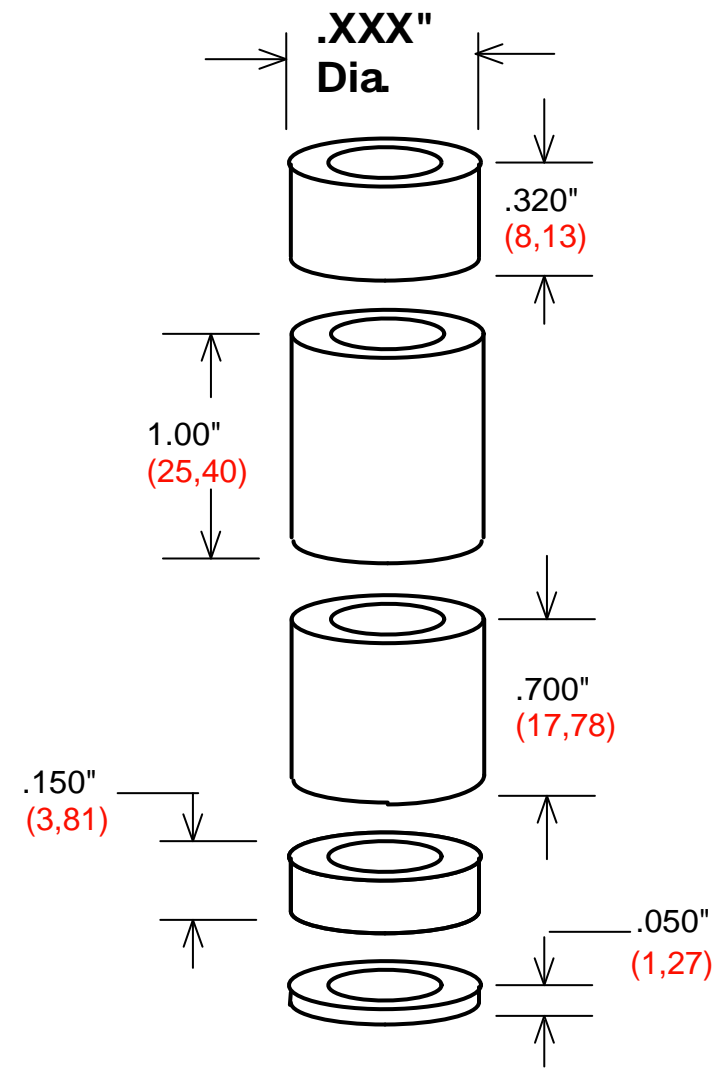
**Fixture Hardware For Use With
3.00" (76,20) Double Grooved Translator Pins
Material: Nylon or Delrin**

.XXX Diameters Available: .375" (9,53)
.500" (12,70)
.750" (19,05)

DEVELOPE SPACER PART NUMBER

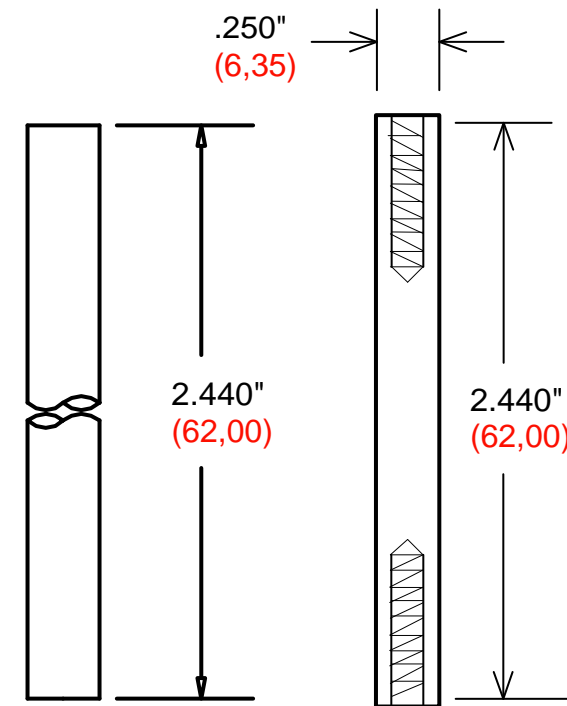
Spacer Length	.XXX Dia.	Hole Dia. or Thread Size	Material
---------------	-----------	--------------------------	----------

TX - 320 - 375 - 257 - N



Threaded or Solid Post

P.N. Solid Post : TX - 2440 - 250 - D
P.N. Threaded : TX - 2440 - 250 - 8/32 - D



TEST-X FIXTURE PRODUCTS 7117 Arlington Ave. Ste. G
www.test-x.com Riverside, CA 92503
pH. 951-688-3067 Fax 951-688-1543
Email : testinfo@test-x.com