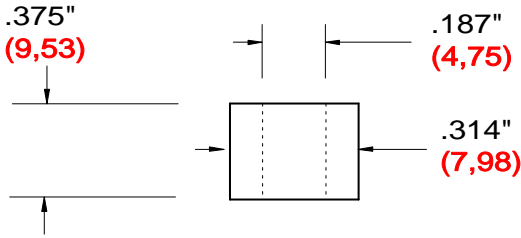
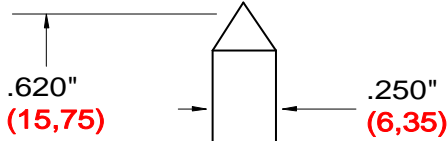


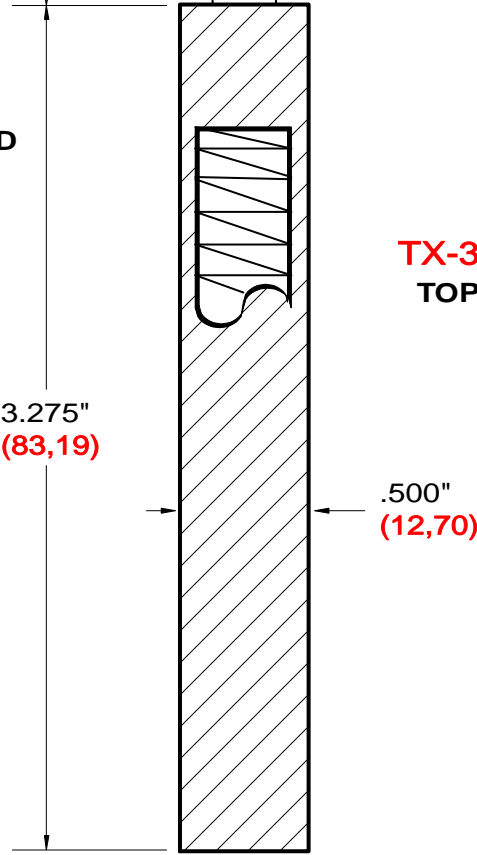
# TOP AND BOTTOM ALIGNMENT ASSEMBLIES FOR DOUBLE SIDED TEST FIXTURES



**TX-375-314 TBAB**  
**TOP BOTTOM ALIGNMENT**  
**BUSHING**



**TX-3.275-250/500 TBAA**  
**TOP BOTTOM ALIGNMENT**  
**ASSEMBLY**



**MATERIAL:**

- PIN - HARDENED DRILL ROD
- BUSHING - HARDENED DRILL ROD
- HOUSING - DELRIN
- SPRING - MUSIC WIRE (SPRING STEEL)

SPRING PRESSURE - 8 Lbs.

TEST-X FIXTURE PRODUCTS 7117 Arlington Ave. Ste. G  
 Riverside, CA 92503  
 pH. 951-688-3067 Fax 951-688-1543  
 www.test-x.com