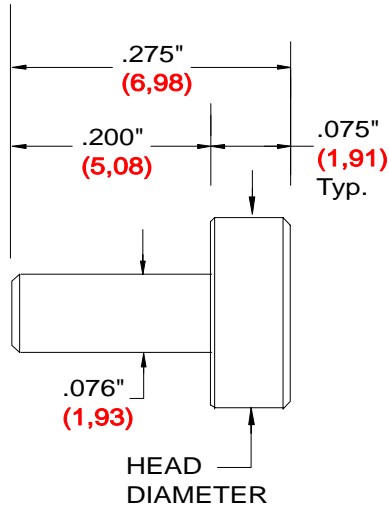


BUTTON TOOLING PINS

STANDARD BUTTON TOOLING PINS



STANDARD HEAD DIAMETERS	
.095"	(2,41)
.109"	(2,77)
.124"	(3,15)
.135"	(3,43)
.155"	(3,94)
.185"	(4,70)
.250"	(6,35)

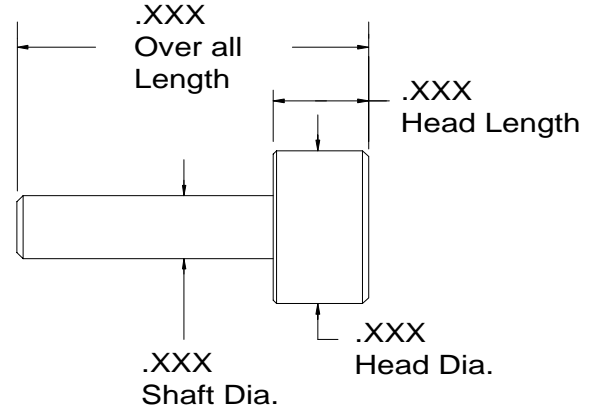
TO ORDER, DEVELOP PART NUMBER USING A STANDARD HEAD DIAMETER FROM THE TABLE ABOVE.

EXAMPLE: **TX - 250 - 095 BTP**



MATERIAL: STAINLESS STEEL

CUSTOM BUTTON TOOLING PINS



To Order, Develop Part Number Using (Over All Length) (Head Dia.) (Shaft Dia.) and (Head Length)

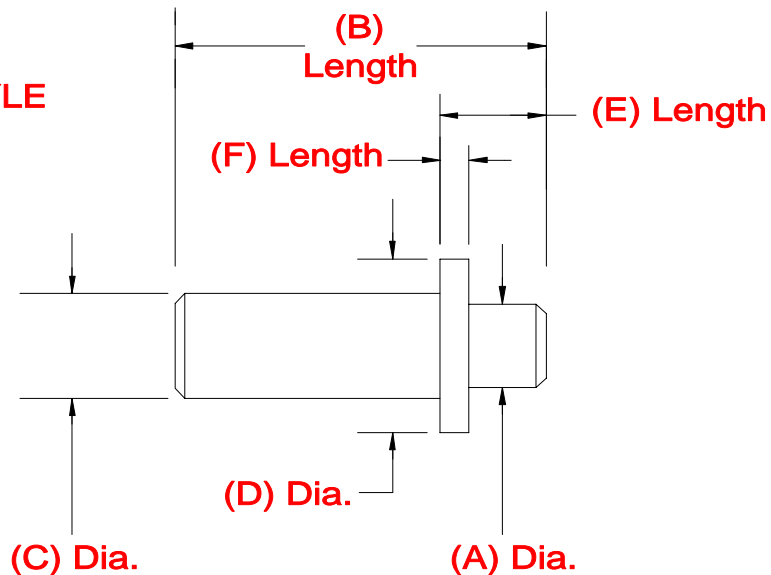
EXAMPLE : Over all Length Head Dia. Shaft Dia. Head Length

TX - 500 - 187 - 120 - 200 BTP

MATERIAL: STAINLESS STEEL

CUSTOM SHOULDER STYLE BUTTON TOOLING PINS

MATERIAL: STAINLESS STEEL



TO ORDER, DEVELOP PART NUMBER USING THE ABOVE DIAGRAM.

EXAMPLE: (A) Dia. (B) Length (C) DIA. (D) Dia. (E) Length (F) Length

TX - 125 - 500 - 187 - 250 - 200 - 062 SBTP