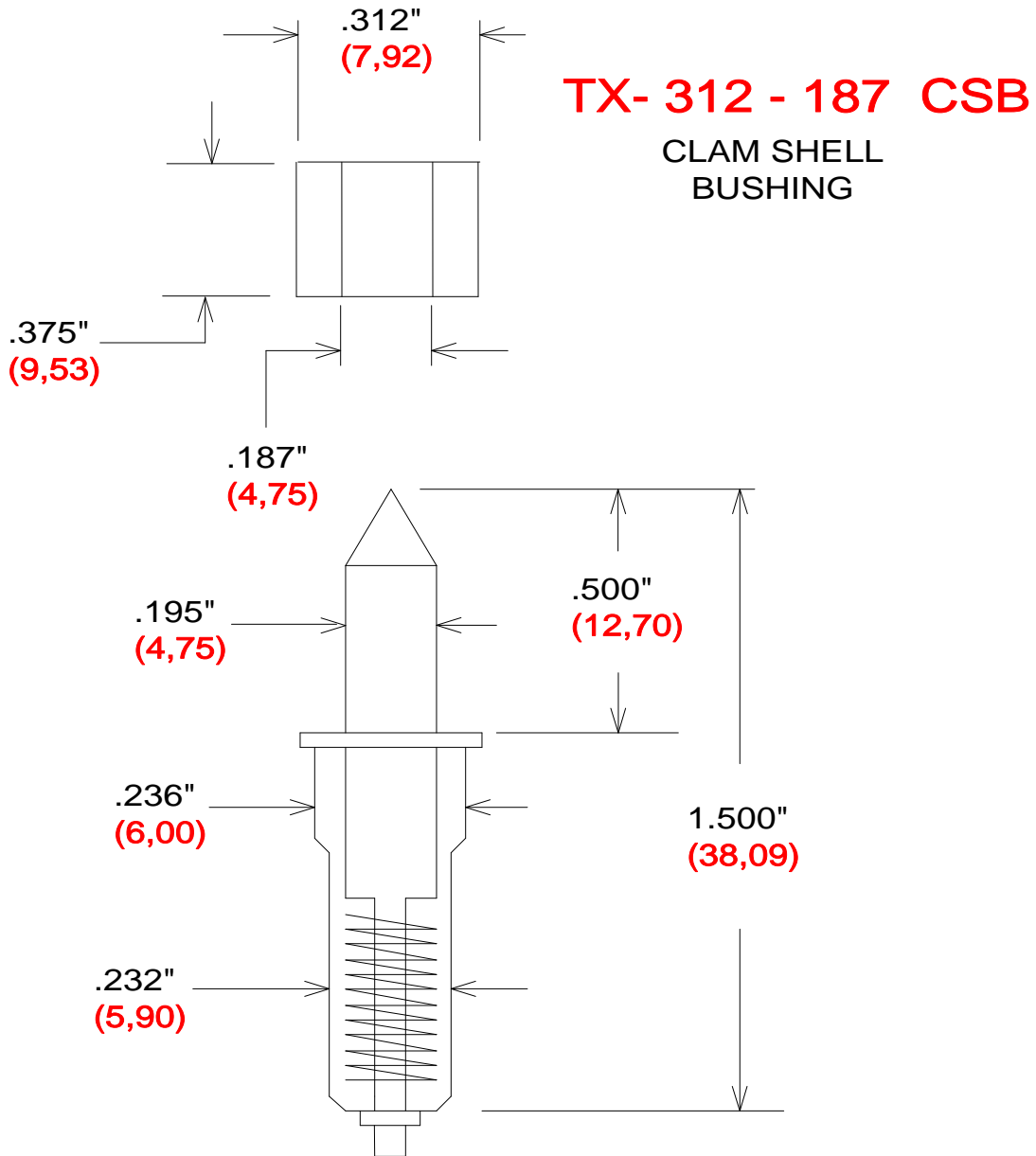


# CLAM SHELL ALIGNMENT PINS AND BUSHINGS



**TX- 312 - 187 CSB**  
CLAM SHELL  
BUSHING

**TX- 1500 - 195 CSAP**  
CLAM SHELL ALIGNMENT  
PIN ASSEMBLY

**MATERIAL:**

PIN STAINLESS STEEL  
BUSHING HARDENED STEEL

Note: Custom Pin Assemblies available Call 951-688-3067

TEST-X FIXTURE PRODUCTS 7117 Arlington Ave. Ste. G  
Riverside, CA 92503  
[www.test-x.com](http://www.test-x.com) pH. 951-688-3067 Fax 951-688-1543