

TAPERED POINT TOOLING PINS

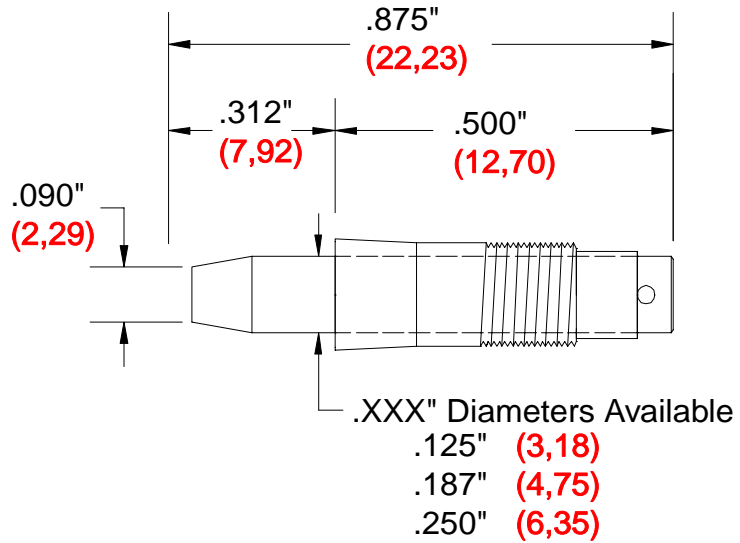
MATERIAL :
 PIN - STAINLESS STEEL
 HOUSING - ALUMINUM
 SPRING - MUSIC WIRE

TURNED 20 DEGREE TAPER

TO ORDER, CREATE YOUR PART NUMBER USING THE DIAGRAM

EXAMPLE : **TX - 125 - TPTP**

.XXX" Diameter

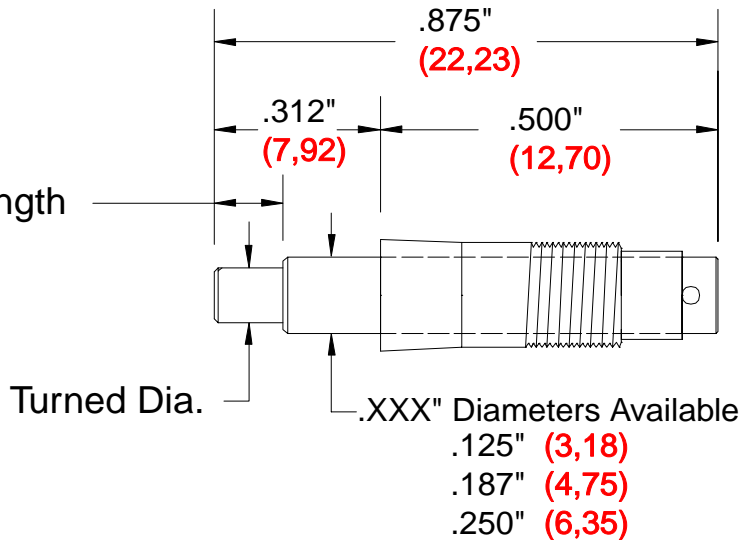


CUSTOM DIAMETER TOOLING PINS

MATERIAL :
 PIN - STAINLESS STEEL
 HOUSING - ALUMINUM
 SPRING - MUSIC WIRE

Turned length

Turned Dia.



TO ORDER, CREATE YOUR PART NUMBER USING THE DIAGRAM ABOVE.

EXAMPLE : **TX - 125 - 095 - 125 CDTP**

TEST-X FIXTURE PRODUCTS **7117 Arlington Ave. Ste. G**
Riverside, CA 92503
www.test-x.com **pH. 951-688-3067 Fax 951-688-1543**