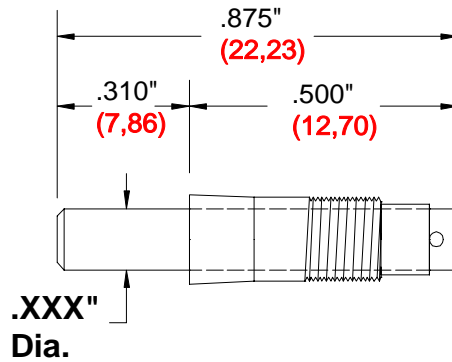


# SPRING LOADED TOOLING PIN ASSEMBLIES



AVAILABLE  
.XXX PIN DIAMETERS

.093" (2,36)  
.125" (3,18)  
.187" (4,75)  
.250" (6,35)

MATERIAL : PIN - STAINLESS STEEL  
HOUSING - ALUMINUM  
SPRING - MUSIC WIRE

TO ORDER, DEVELOP PART NUMBER USING .XXX PIN Dia.

EXAMPLE : TX - 093 - SLTPA

.XXX" Dia.

PINS CAN BE TURNED TO CUSTOM SIZES CALL (951) 688-3067

TEST-X FIXTURE PRODUCTS

[www.test-x.com](http://www.test-x.com)

7117 Arlington Ave. Ste. G

Riverside, CA 92503

pH. 951-688-3067 Fax 951-688-1543