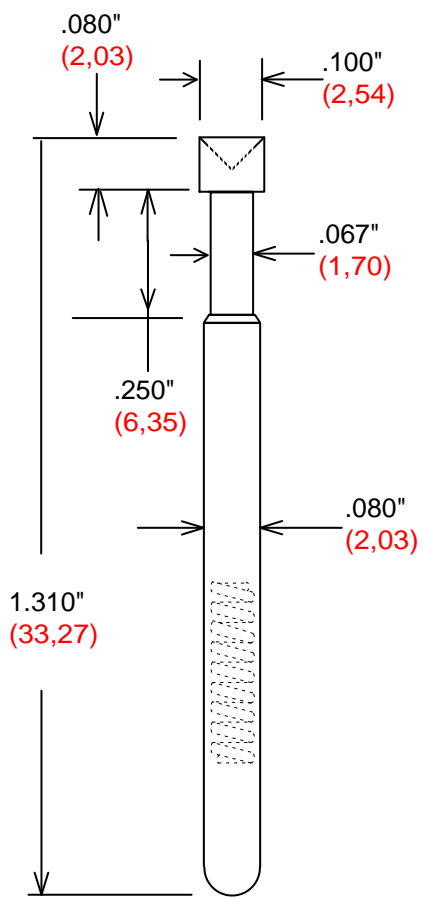
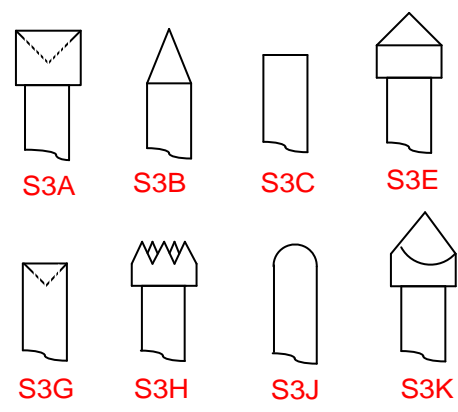


SERIES - S, SIZE - 3 SPRING LOADED TEST PROBES

.125" (3,18) CENTERS / .250" (6,35) STROKE



TIP STYLES



PROBE TECHNICAL DATA

Recommended Minimum Centers - .125" (3,18)
 Current Rating - 5 amps continuous
 Spring Force - (4.0) or (7.0) oz. @ .170 (4,32) Travel
 Contact Resistance - Less then 20 milliohms
 Recommended Working Travel - .170 (4,32)

MATERIALS

Contact Barrel - Nickel / Silver, Gold Plated.
 Spring - Stainless Steel, Gold Plated.
 Plunger - Full-Hard Beryllium Copper, Gold Plated over Nickel.

How To Order: SERIES SIZE TIP STYLE SPRING FORCE PLATING
 Example S 3 S3A 4.0 G

RECEPTACLES

RECEPTACLE SIZE- 3 DATA
 Style : Solder Cup
 Style : Wire Wrap .025" Sq. Post.
 Drill Size : #41
 Mounting Hole Size : .094"/.096"

MATERIAL:
 Nickel / Silver, Gold Plated
 Wire Wrap Post Gold Plated.

