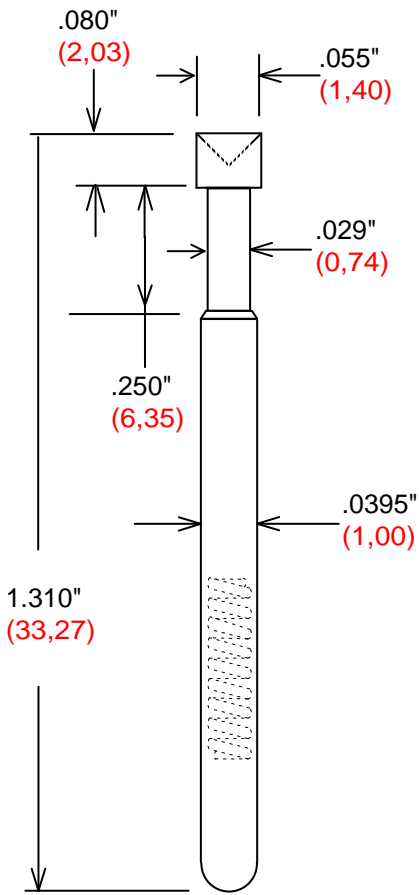
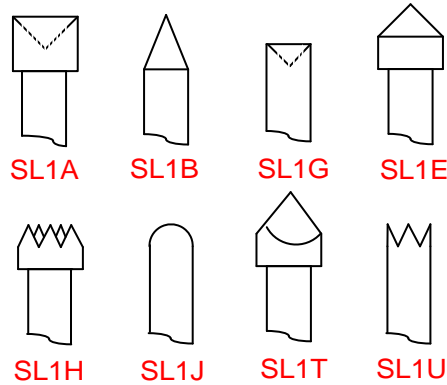


SERIES - SL, SIZE - 1 SPRING LOADED TEST PROBES

.075" (1,91) CENTERS / .250" (6,35) STROKE



TIP STYLES



PROBE TECHNICAL DATA

Recommended Minimum Centers - .075" (1,91)
 Current Rating - 3 amps continuous
 Spring Force - (3.8) or (6.6) oz. @ .170 (4,32) Travel
 Contact Resistance - Less then 25 milliohms
 Recommended Working Travel - .170) (4,32)

MATERIALS

Contact Barrel - Nickel / Silver, Gold Plated.
 Spring - Music Wire, Gold Plated.
 Plunger - Full-Hard Beryllium Copper, or Steel
 Gold Plated over Nickel.

How To Order: **SERIES** **SIZE** **TIP STYLE** **SPRING FORCE** **PLATING**
 Example **SL** - **1** - **SL1A** - **3.8** - **G**

RECEPTACLES

RECEPTACLE SIZE SL-1 DATA

Style : Solder Cup
 Style : Wire Wrap .025" Sq. Post.
 Drill Size : 1.45 mm
 Mounting Hole Size : .055"/.057"

MATERIAL:

Nickel / Silver, Gold Plated.
 Wire Wrap Post Gold Plated.

