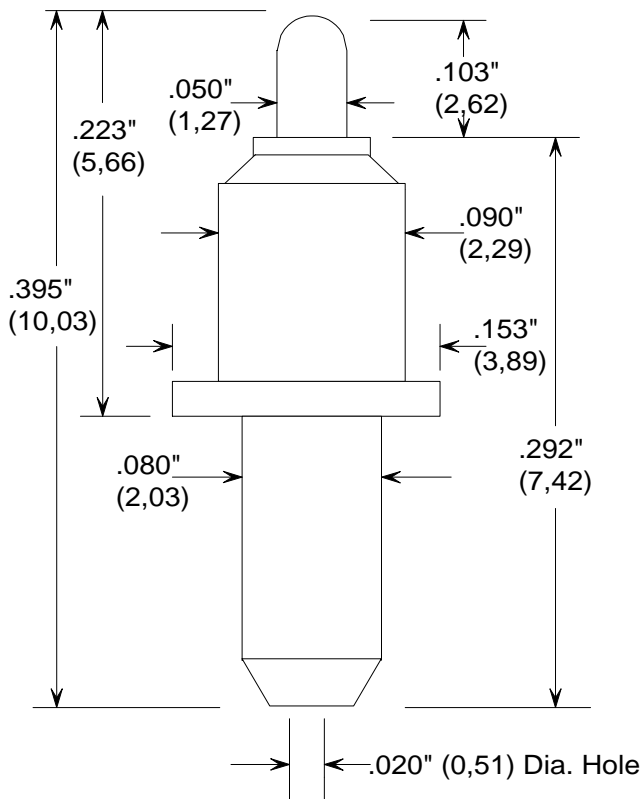


# SPRING PLUNGER BATTERY CONTACTS

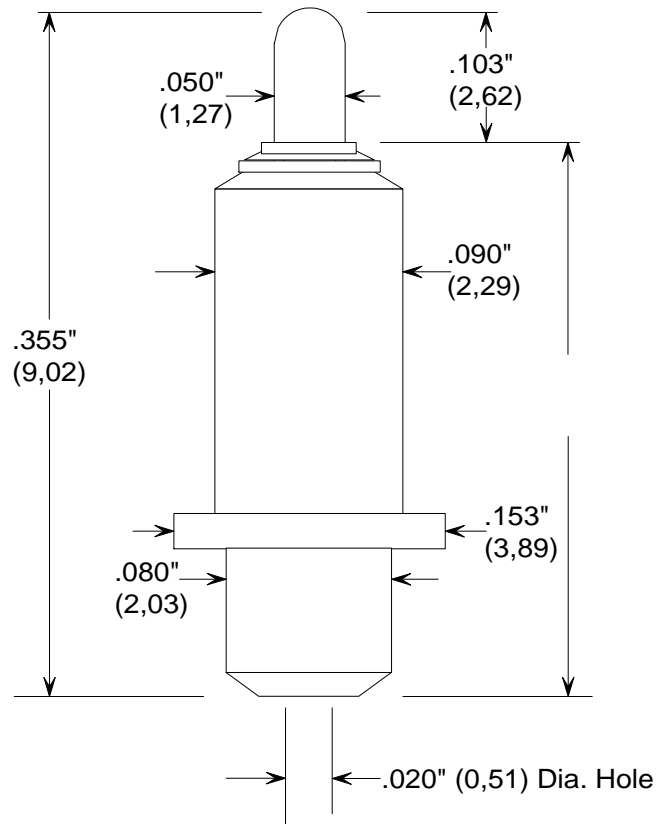


**PART NUMBER TX - 100410 - 6.2**

Reccommended Minimum Centers -- .200" (5,08).  
 Current Rating -- 3 amps continuous.  
 Reccommended working Travel -- .060" (1,52).  
 Spring Force -- 6.2 oz. @ .060" (1,52) Travel.

**Materials:**

Contact Barrel -- Nickel / Silver, Gold Plated.  
 Spring -- Stainless Steel.  
 Plunger -- Full-Hard Beryllium Copper  
 Gold Plated over Nickel.  
 Bias Ball -- Stainless Steel, Gold Plated



**PART NUMBER TX - 100891 - 9.0**

Reccommended Minimum Centers -- .200" (5,08).  
 Current Rating -- 3 amps continuous.  
 Reccommended working Travel -- .067" (1,70).  
 Spring Force -- 9.0 oz. @ .067" (1,70) Travel.

**Materials:**

Contact Barrel -- Nickel / Silver, Gold Plated.  
 Spring -- Stainless Steel, Gold Plated.  
 Pungner -- Full-Hard Beryllium Copper  
 Gold Plated over Nickel.

TEST-X FIXTURE PRODUCTS **7117 Arlington Ave. Ste. G**  
**www.test-x.com** **Riverside, CA 92503**  
**pH. 951-688-3067 Fax 951-688-1543**